

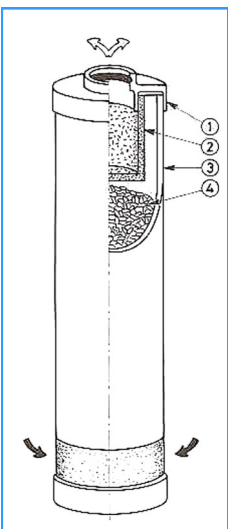
Carbopor



Filter Cartridges CARBOPOR Radial Flow Type

Carbopor granular activated carbon cartridges contain a broad band adsorbent (typically 250g/10" length). The major application for these elements is the removal of chlorine, taste and odour from process water and organic removal in process liquids. Elements are constructed to provide compatibility with a wide variety of liquids and gases. When required the carbon can be impregnated with silver to reduce bacterial build up.

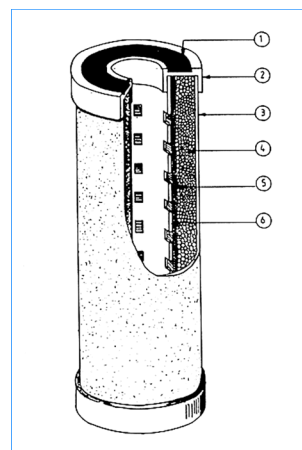
Radial flow elements consist of a bed of high grade activated carbon sandwiched between porous inner and outer sleeves which help prevent carbon migration.



CARBOPOR BOTTLE-TYPE

On request we can supply filter cartridges in the end flow version, the outer sleeve is porous only at the bottom. This forces the liquid to flow through the entire carbon bed (typically 350g/10" length) to exit at the top. This results in the maximum contact time between liquid and carbon

1. End caps in polypropylene
2. Porous polyethylene inner sleeve
3. Outer sleeve
4. Granular activated carbon



1. Seal in Nitrile (standard)
2. End caps in polypropylene
3. Porous outer sleeve
4. Granular activated carbon
5. Porous inner sleeve
6. Polypropylene core

MAJOR APPLICATIONS

- Removal of chlorine, taste and odour from drinking water
- Removal of oil mists from air
- Organics removal from plating solutions

FEATURES

- All materials used in Carbopor filter cartridges meet (FDA) requirements
- OD: 68 mm
- ID: 25 mm
- Length: from 4" to 40"
- We recommend a maximum flow rate of 10 litres / min / 10" length for the radial flow cartridges and 5 litres/min / 10" length for the bottle-type
- They can be supplied with end caps suitable to fit most competitive vessels
- When required the carbon can be impregnated with silver to reduce bacterial build up

"CARBOPOR" PRODUCT CODE

SC		10			C		O		N	
Flow Path		Length			Media		End Cap		Seals	
Radial	C	Inch	mm	cod.	Natural	C	DOE	0	EPDM	E
Bottle type	B	4"	100	04	Carbon		Cod.2	2	Nitrile	N
		9 ³ / ₄ "	247	09			Cod.3	3	Silicone	S
		9 ⁷ / ₈ "	251	10	Silvered	S	Cod.7	7	Viton	V
		10"	254	11	Carbon		Cod.8	8		
		19 ³ / ₄ "	500	19			Ametek	9		
		20"	508	20			SOE	S		
		29 ¹ / ₂ "	750	29						
		30"	762	30						
		39 ¹ / ₂ "	1000	39						
		40"	1016	40						